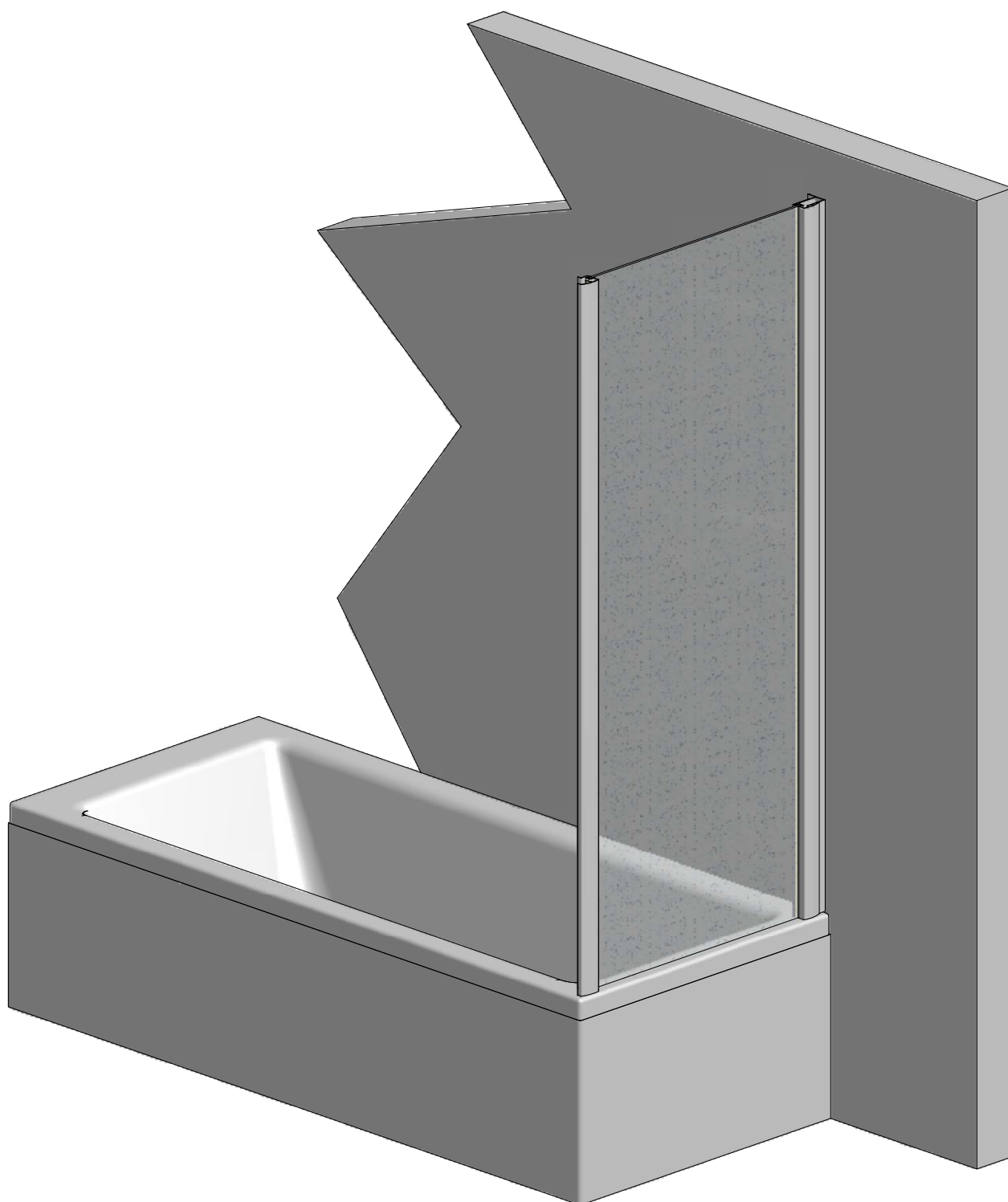
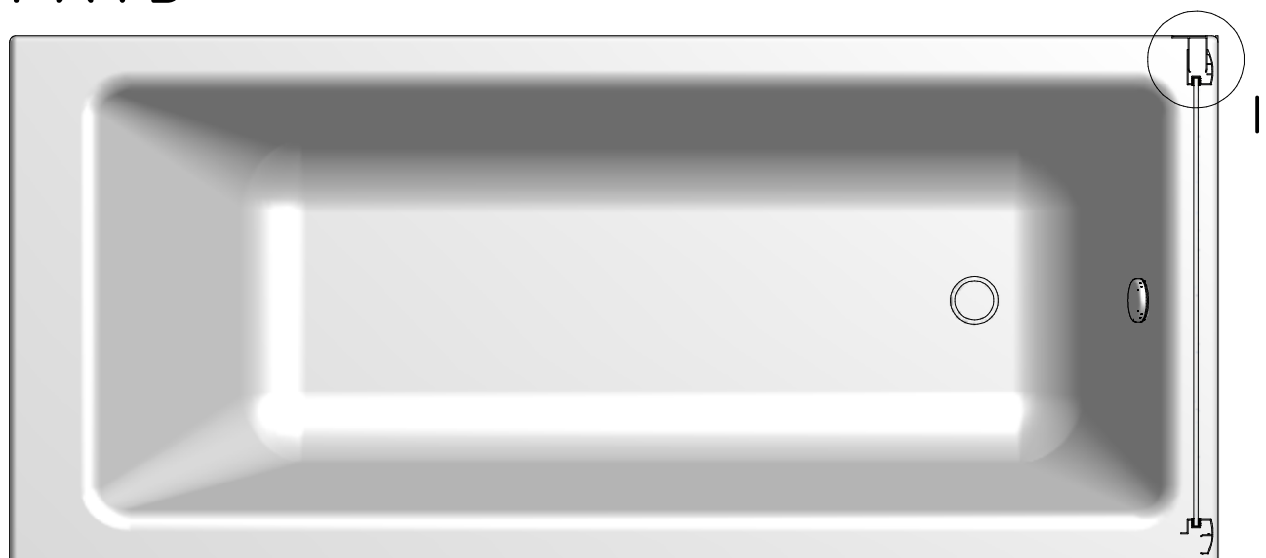


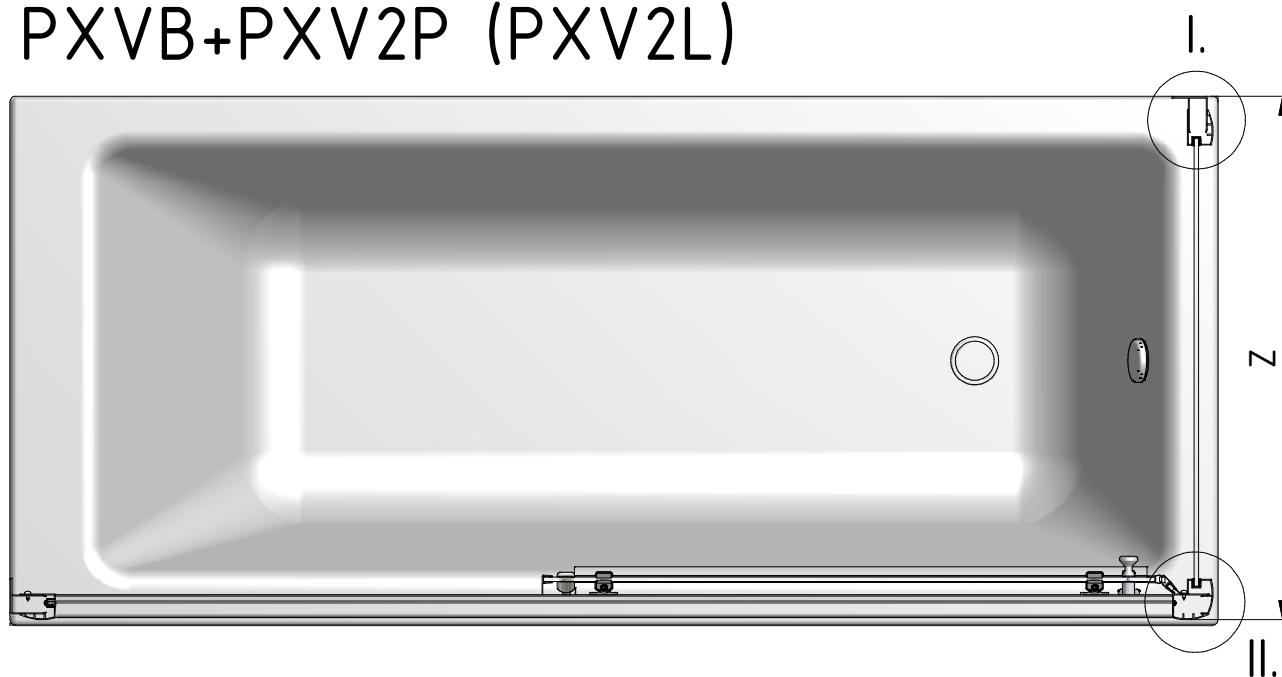
# PXVB



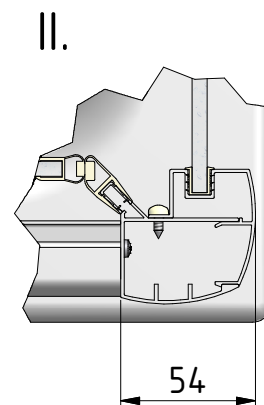
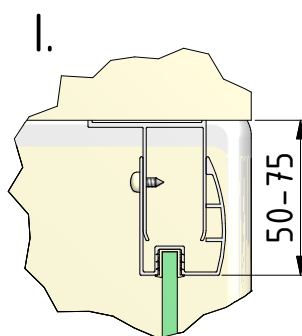
# PXVB

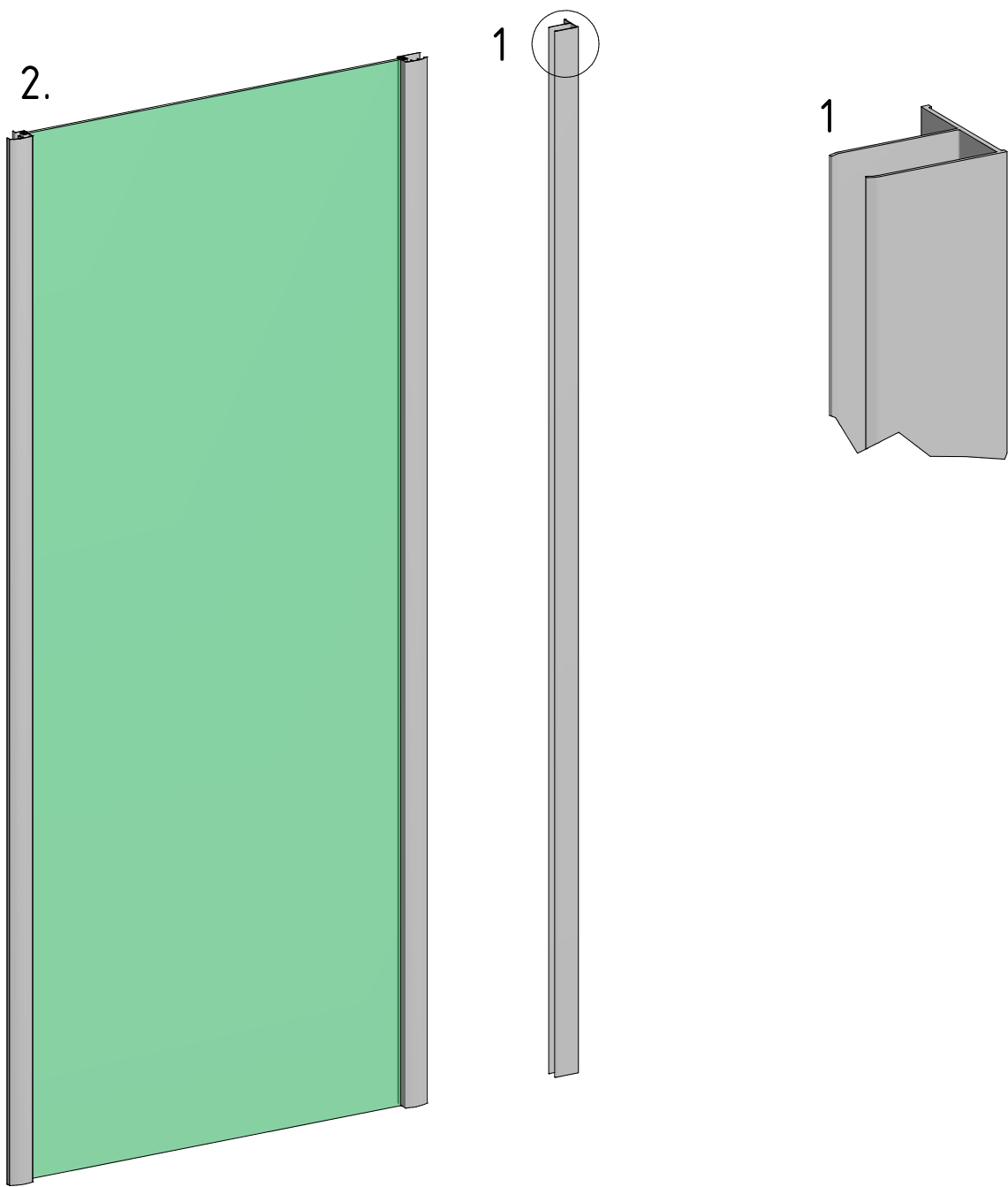


# PXVB+PXV2P (PXV2L)

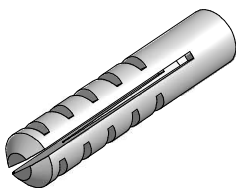


| PXVB |        |        |
|------|--------|--------|
| TYP  | Z min  | Z max  |
| 700  | 680 mm | 705 mm |
| 750  | 730 mm | 755 mm |
| 800  | 780 mm | 805 mm |

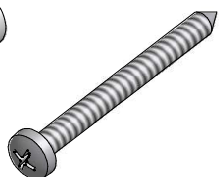




3. 3x (M0511)  
Ø 6 mm



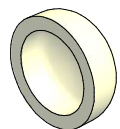
4. 3x (M0795)  
Ø3,5x38 mm

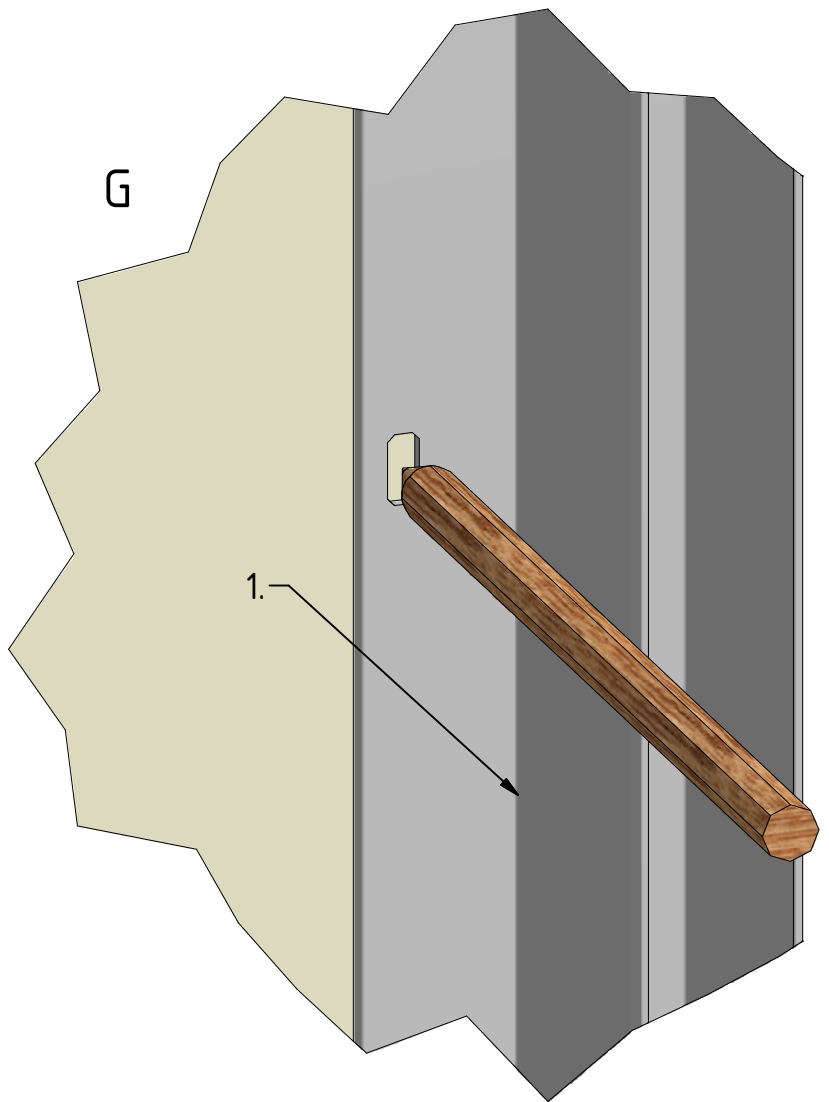
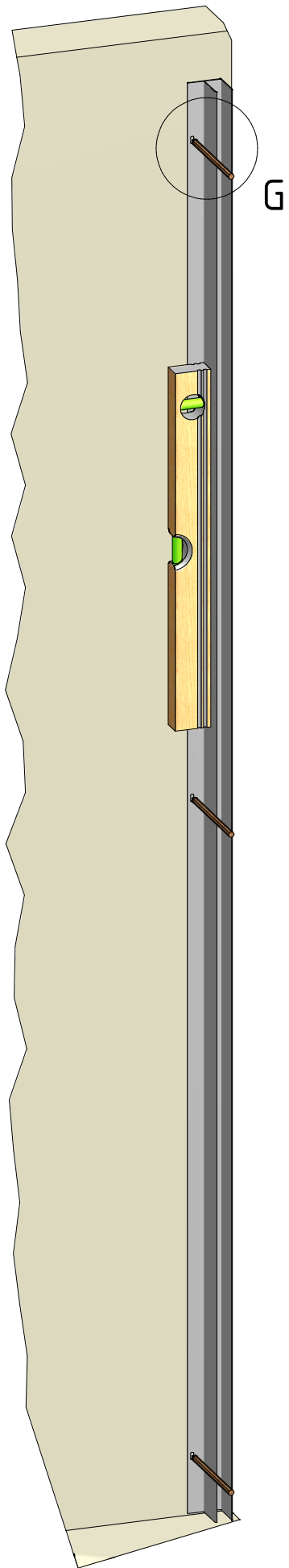


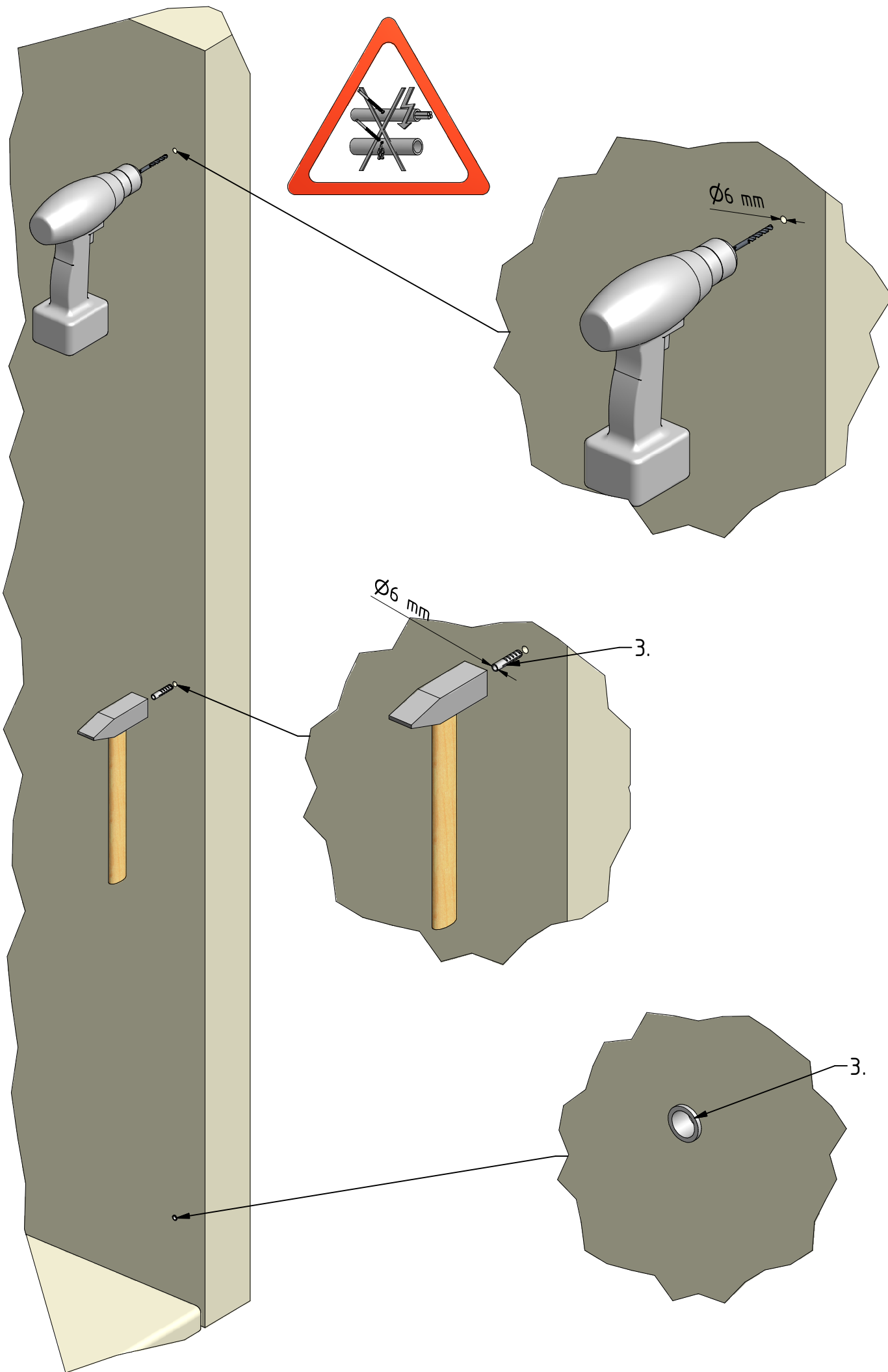
5. 6x (M0806)  
Ø 3,5x9,5 mm

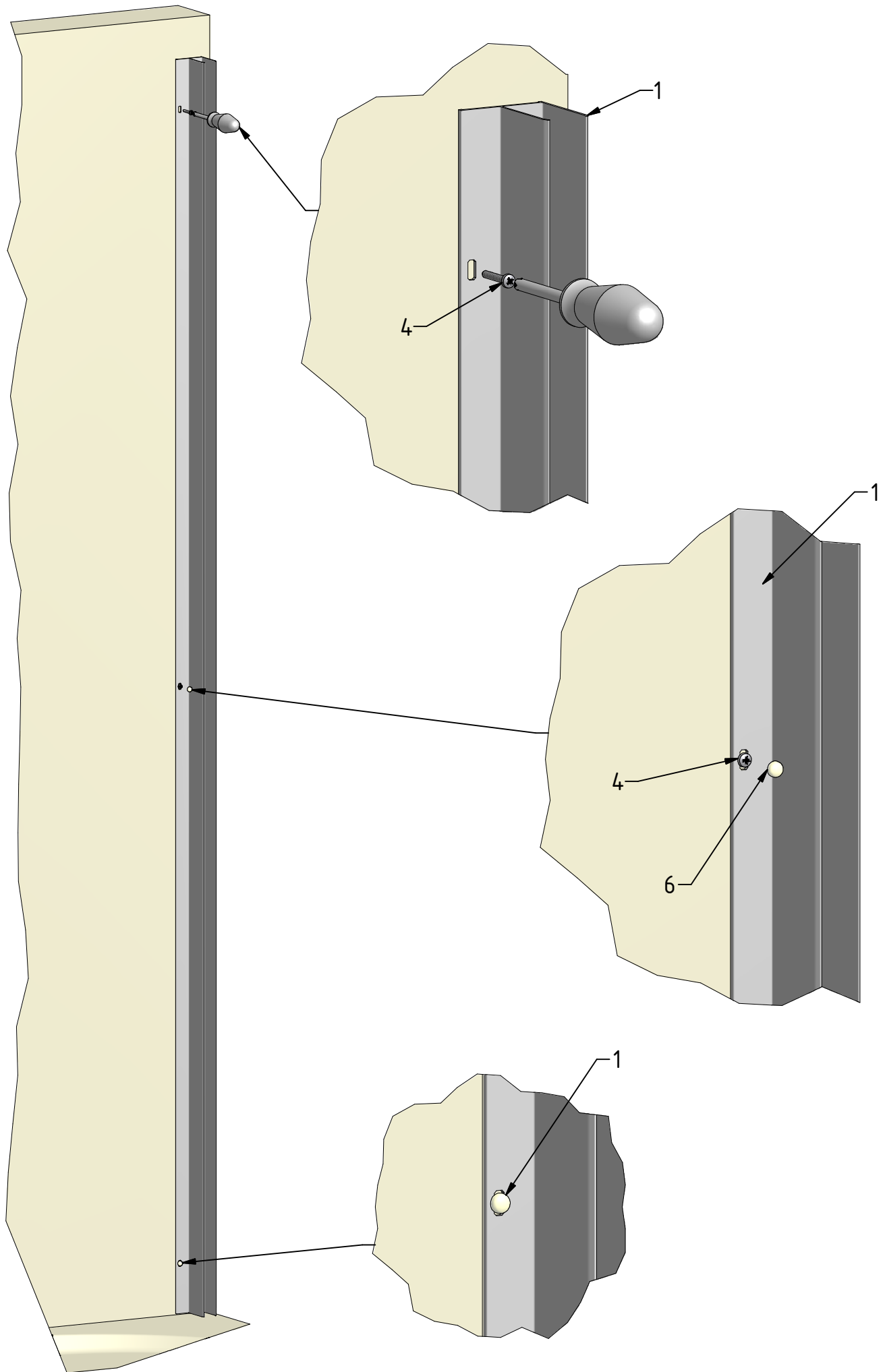


6. 9x M1907  
Ø 8 mm

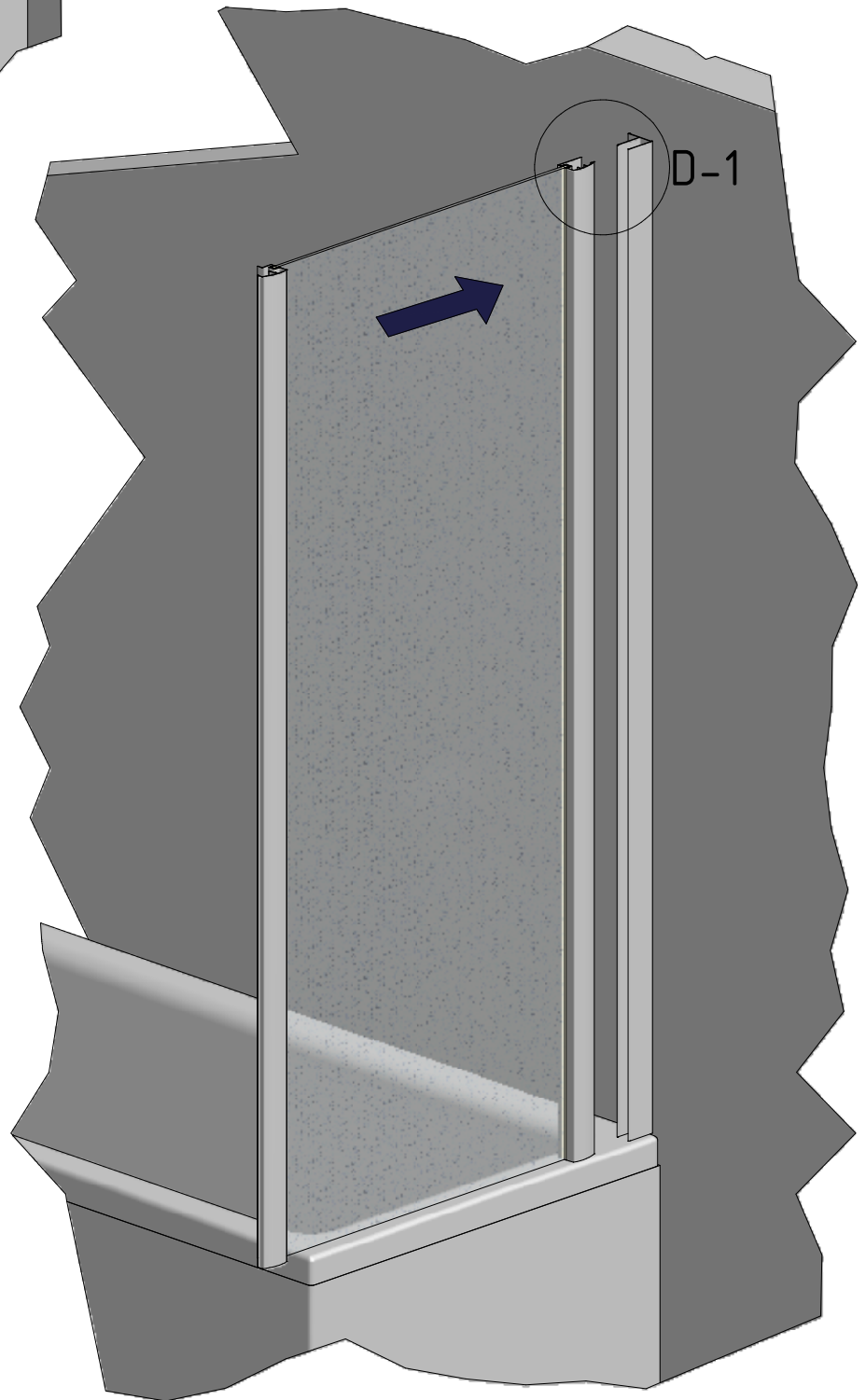
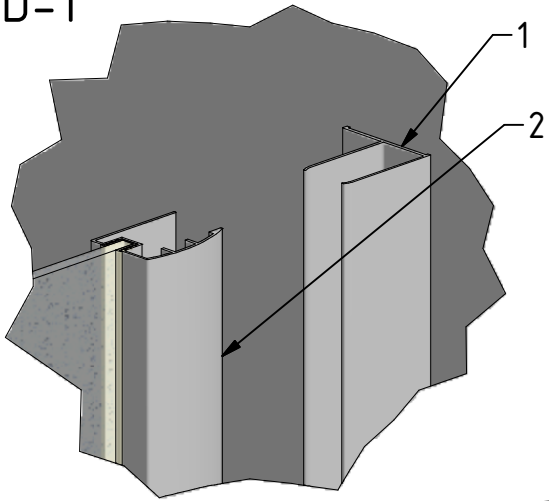


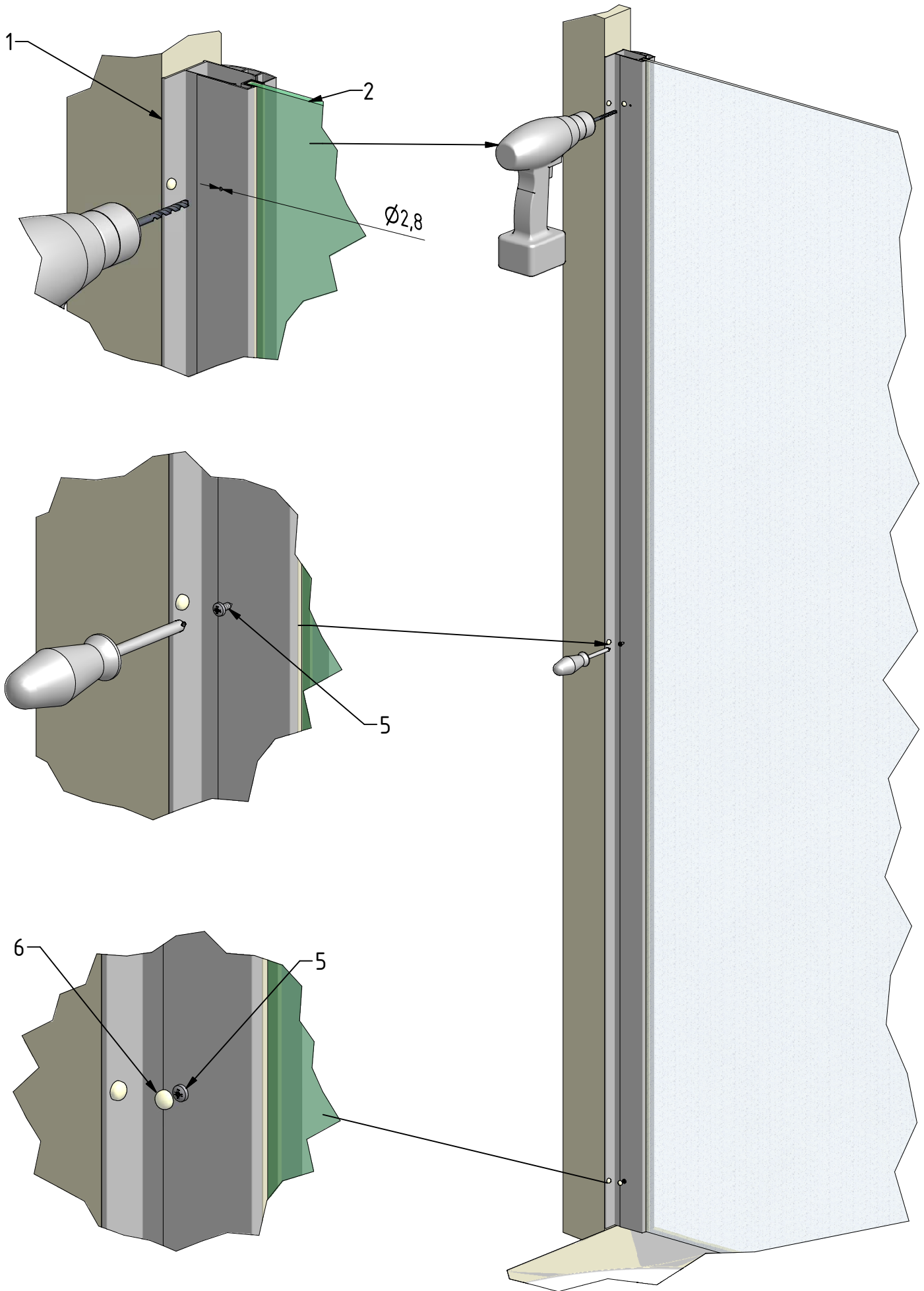




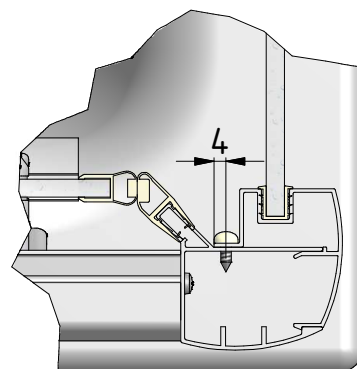
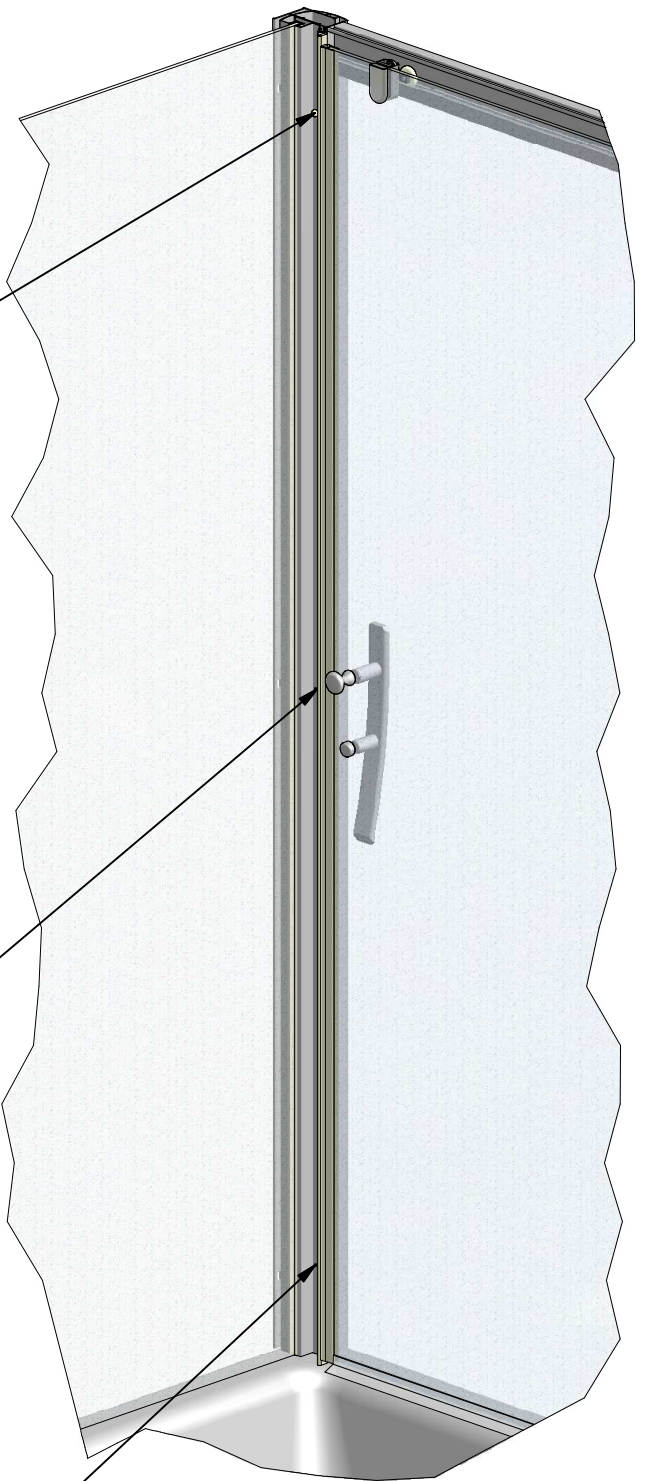
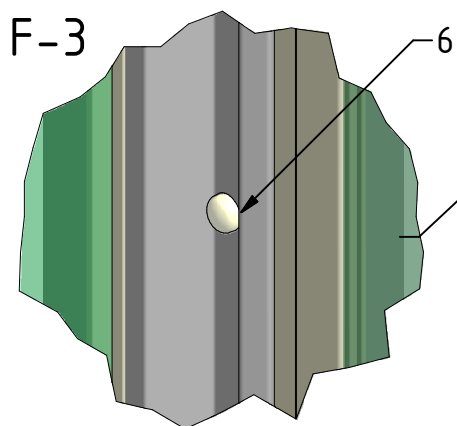
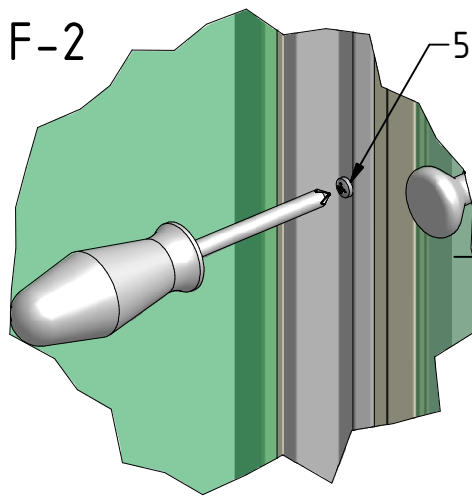
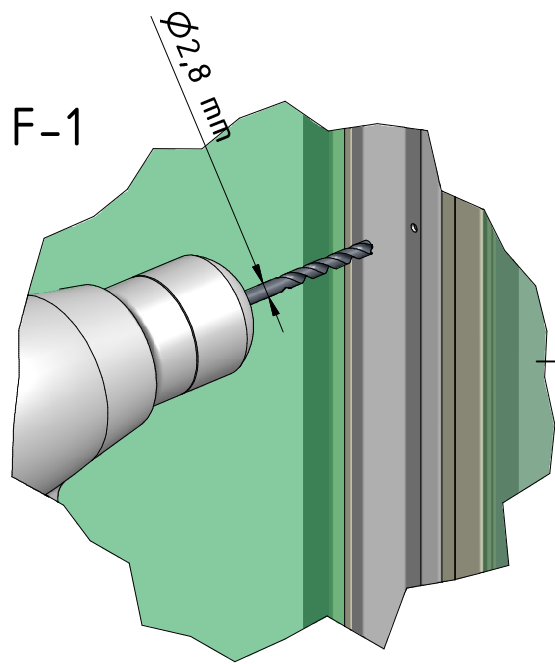


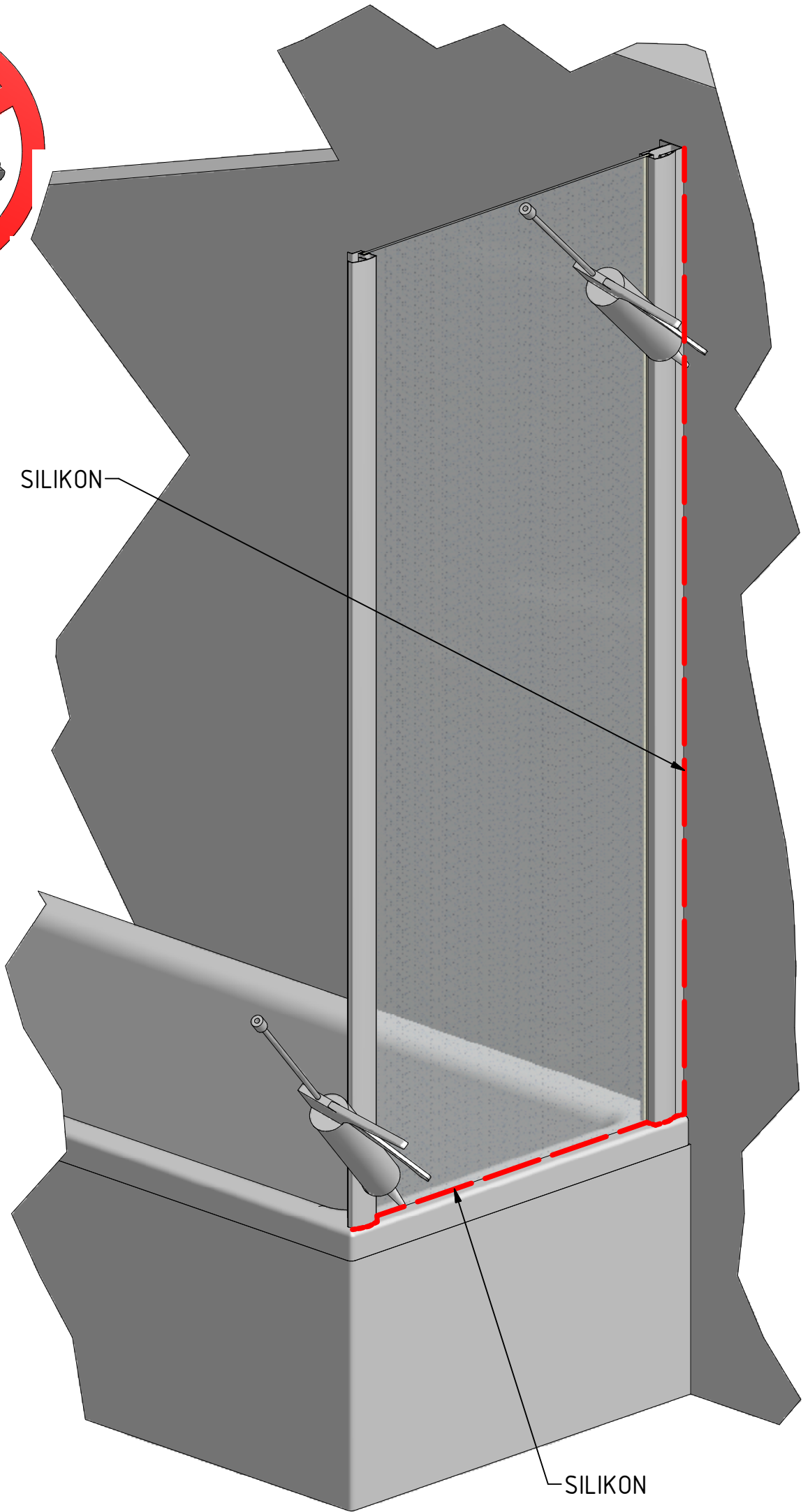
D-1











SILIKON

SILIKON