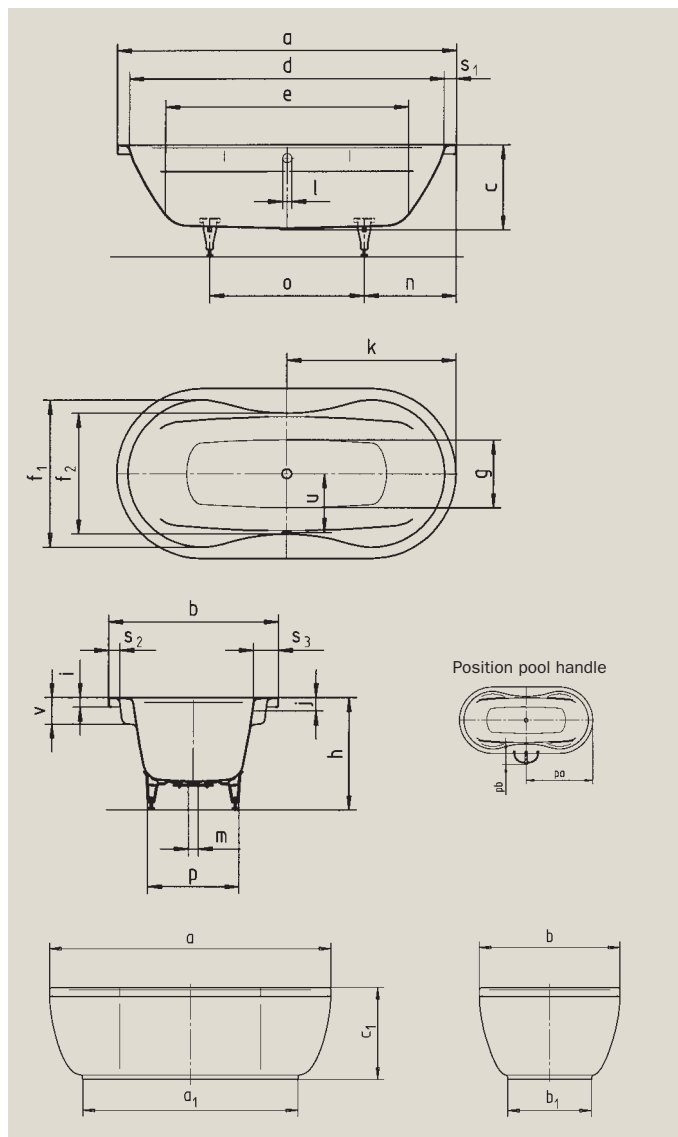


MEGA DUO OVAL

MEGA DUO OVAL

WITH MOULDED PANEL

- bathing with a friend: two identical back rests and centrally positioned outlet
- wide arm rests on both sides provide optimum bathing comfort
- the moulded panel emphasises the high design standard and enables the bath to be free-standing



Model no.		184	184-7
External length	a	1800	1800 mm
External width	b	900	900 mm
Depth	c	450	450 mm
External length (bottom)	a ₁	–	1380 mm
External width (bottom)	b ₁	–	540 mm
Overall height with panel	c ₁	–	580 mm
Internal length (top)	d	1680	1680 mm
Internal length (bottom)	e	1290	1290 mm
Internal width (top)	f ₁ ; f ₂	780; 640	780; 640 mm
Internal width (bottom)	g	360	360 mm
Height with feet	h	565-600	565-600 mm
Height of rim	i	50	50 mm
Distance top edge to centre of overflow hole	j	70	70 mm
Distance tub edge to centre of drain hole	k	900	900 mm
Diameter of overflow hole	l	52	52 mm
Diameter of drain hole	m	52	52 mm
Distance foot end of tub edge to centre of base	n	490	490 mm
Distance between the feet	o	820	820 mm
Max. width of feet	p	480	480 mm
Distance tub edge to drilled hole in the middle	pa	900	900 mm
Max. overhang	pb	136	136 mm
Width of rim (foot end; lengthwise)	s ₁ ; s ₂ ; s ₃	60; 60; 130	60; 60; 130 mm
Distance between centre holes	u	310	310 mm
Armrest depth	v	140	140 mm
Water volume** in litres		186	186
Anti-slip		∅ 435	∅ 435 mm
Full anti-slip		900 x 300	900 x 300 mm

Subject to technical alterations and tolerances.
 ** 70 litres displacement on average.

KALDEWEI
 Europe's No. 1 for baths