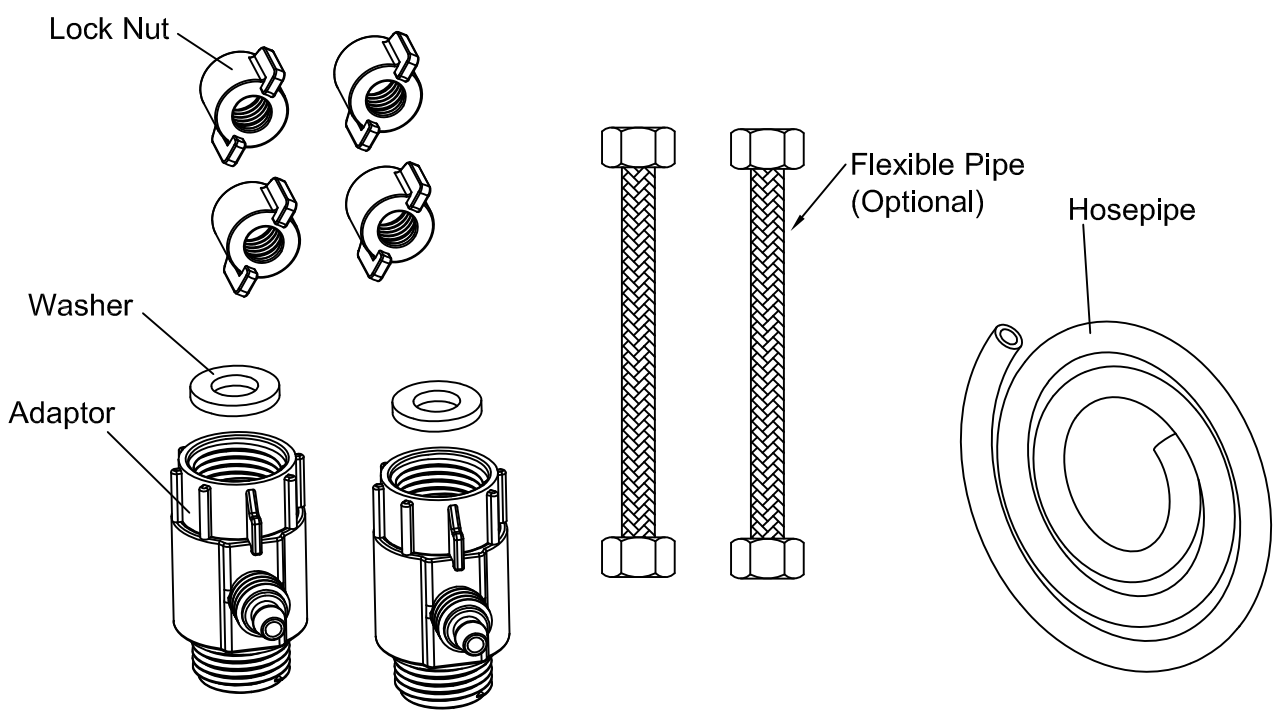
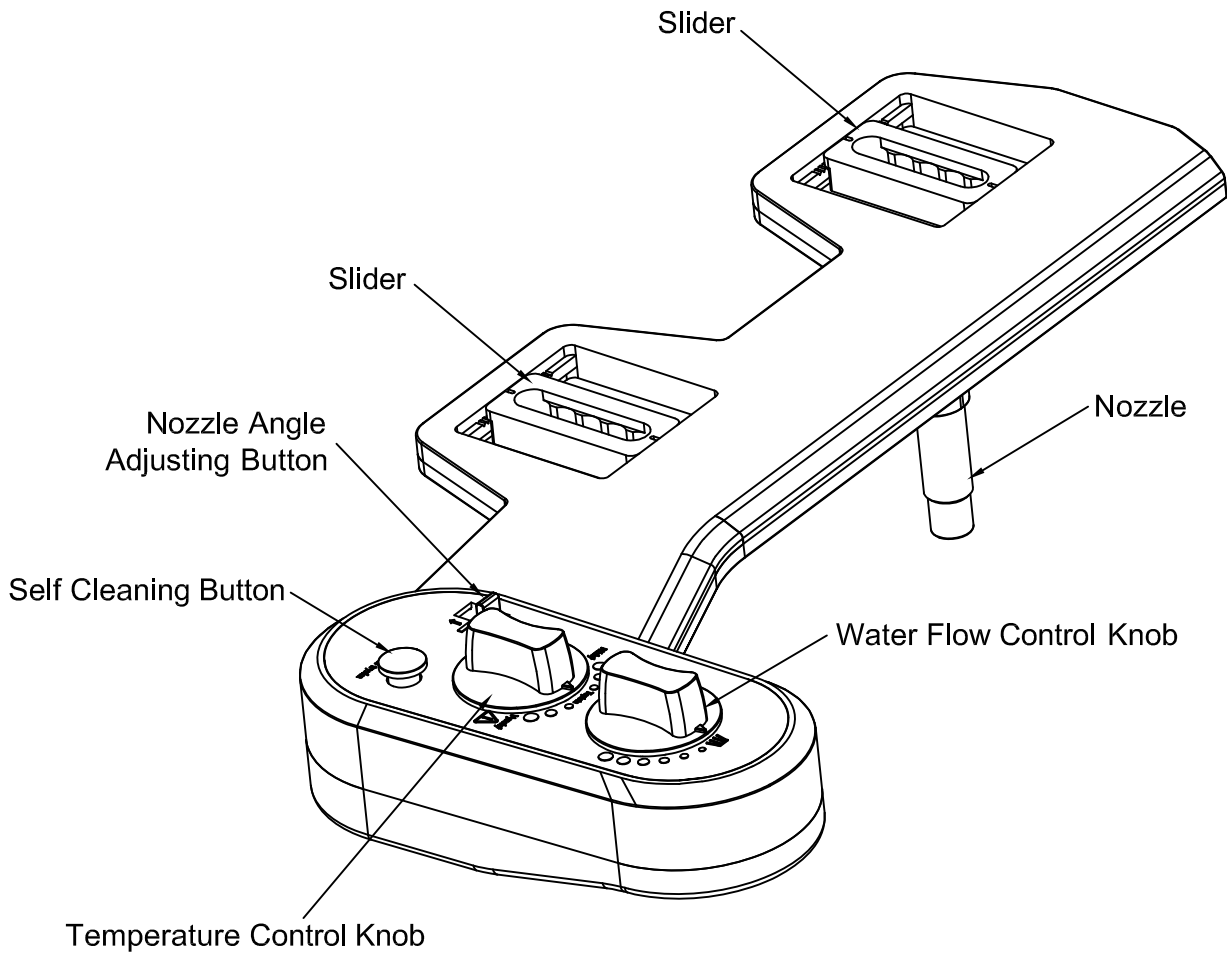


# **Installation Instruction**

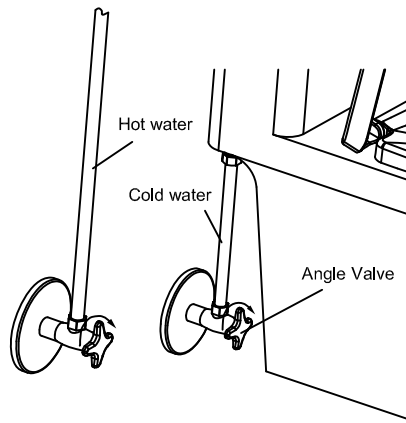
MT101 Cold And Hot Water Bidet

# Component List



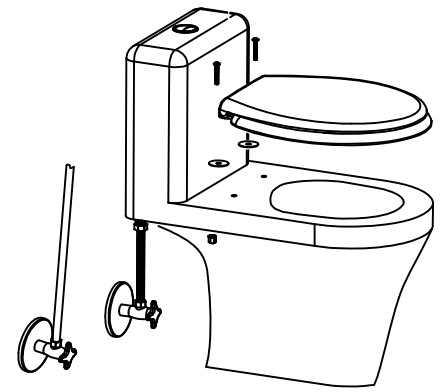
# Installation Steps

1



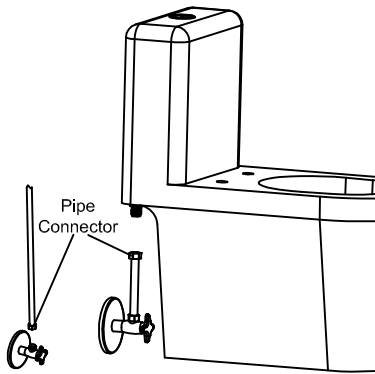
Turn off the angle valve, and then flush out all the water in the tank

2



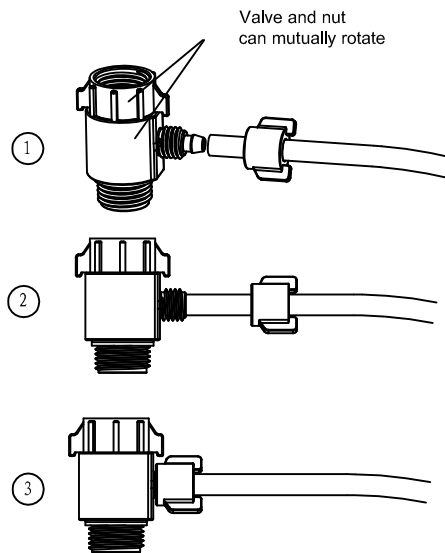
Remove the existing seat cover and keep all the parts

3



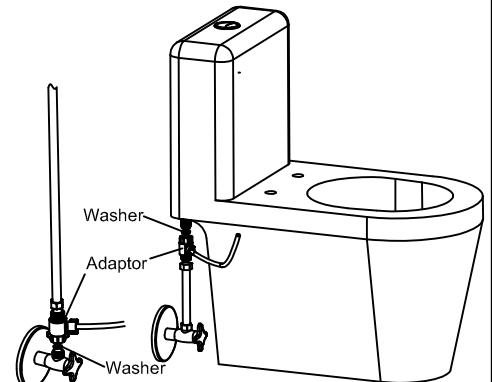
a. Without flexible pipe:  
unscrew the pipe connector  
b. With flexible pipe:  
take off the water supply pipe  
and then place the flexible pipe  
instead

4



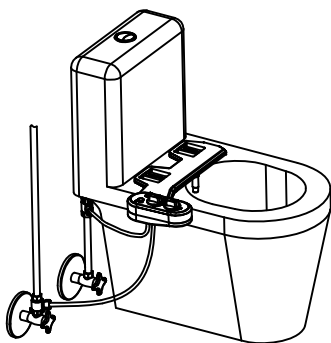
Connect the hosepipe to the adaptor

5



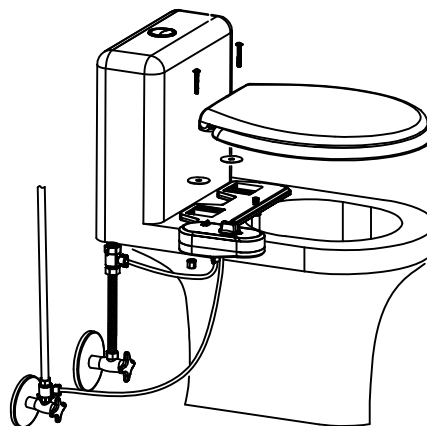
Connect the adaptor to the water supply pipe

6



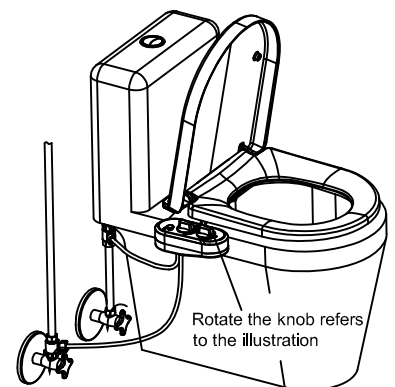
Connect hot water tube to hot water inlet of the bidet, and connect cold water tube to cold water inlet of the bidet

7



Replace the existing seat cover to the stool

8



Adjust the knob as illustrated, turn on the angle valve and then check if there is any seepage and leakage for each joint

# Specification

Model	MT101
Voltage	Non-electric
Water Supply Mode	Connect to the hot water supply pipe and cold water supply pipe directly
Angle of Nozzle	Adjustable
Water Temperature for self-cleaning	Cold and hot water
Self-cleaning	YES
Water Temperature	3°~ 35°
Room Temperature	3°~ 40°
Water Pressure	0.05 MPa ~0.6 MPa
Distance between Holes Axis	138 ~ 202 mm
Item Size	430x245x103mm

# Trouble shooting

Issues	Measures
The spray nozzle has no water	<ol style="list-style-type: none"> <li>1.The water supply is cut off</li> <li>2.The angle valve is closed</li> <li>3.The spray nozzle is clogged</li> <li>4. Low water pressure</li> <li>5. Water supply pipe is bended</li> </ol>
Low water pressure	<ol style="list-style-type: none"> <li>1. The water flow control knob is adjusted to be low position</li> <li>2. Water supply pipe is bended</li> </ol>
The water is not hot enough	<ol style="list-style-type: none"> <li>1.The temperature control knob is adjusted to cold water range</li> <li>2.The temperature of hot water source is too low</li> <li>3.The angle valve for hot water is closed</li> </ol>