



ANGLE VALVES A-80 DELTA

A-80 SERIE

SCOPE

A-80 DELTA are 1/4 quarter turn angle valves designed for being connected to water pipe system. They constitute the basic range of ARCO A-80 series.

They are used to shut off individually water supply to sinks, basins, cisterns and other places to proceed to repair or replace.

SERVICE CONDITIONS

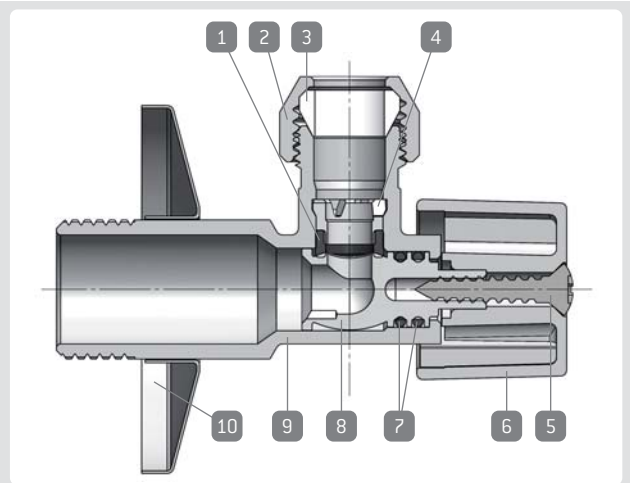
Nominal pressure: 16 bar.
Temperature range: cold and hot water up to 95 °C.

Test pressure: 25 bar.
Fluid: water intended to human consumption and domestic hot water.

COMPONENTS

ITEM	COMPONENT	MATERIAL	TREATMENT
1	Seat	NBR	
2	Nut ¹	European Brass CW614N	Chrome plated
3	Bicone ¹	Polyamide	
4	Supporting clip	POM	
5	Screw	Zinc plated steel	
6	Handle	ABS	Chrome plated
7	Seals	NBR	
8	Stem-ball	POM	
9	Body	European Brass CW617N	Chrome plated
10	Rosette	Stainless steel	

¹ according to model



MAIN CONSTRUCTIVE FEATURES

STEM-BALL

Stem and ball are manufactured in one piece made of POM, which increases its resistance and performance.

This original component of ARCO has been designed to reduce loss of pressure, keeping a constant flow rate and avoiding noise.



MAIN CONSTRUCTIVE FEATURES (continued)

INTERNAL AND EXTERNAL LEAK TIGHTNESS

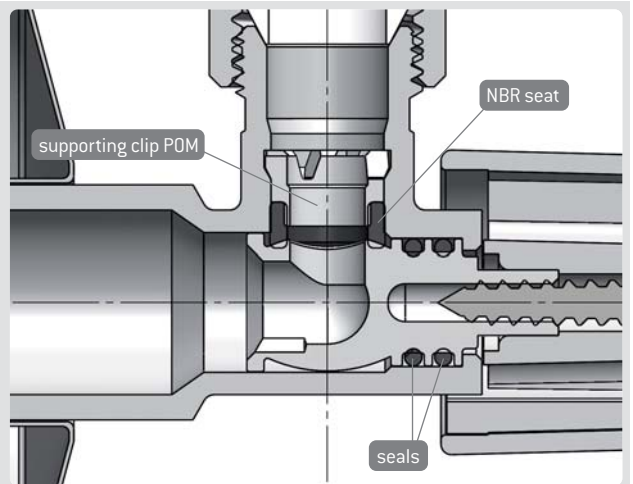
INTERNAL Leak tightness

The supporting clip made of POM is placed in the valve to push the NBR seat against the stem-ball.

This system can not be dismantled, avoiding improper manipulations.

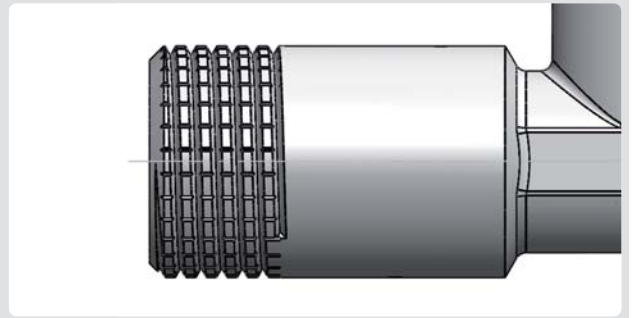
EXTERNAL Leak tightness

A double NBR seal placed on the stem assure external leakness. This double joint system guarantees safety against external leakage, use, ageing,...



KNURLED THREADS

A-80 angle valves have the classic knurled system of ARCO on the thread to facilitate the installation. It makes easier the application of teflon, esparto gras... to the thread, avoiding slidings of these elements while application.

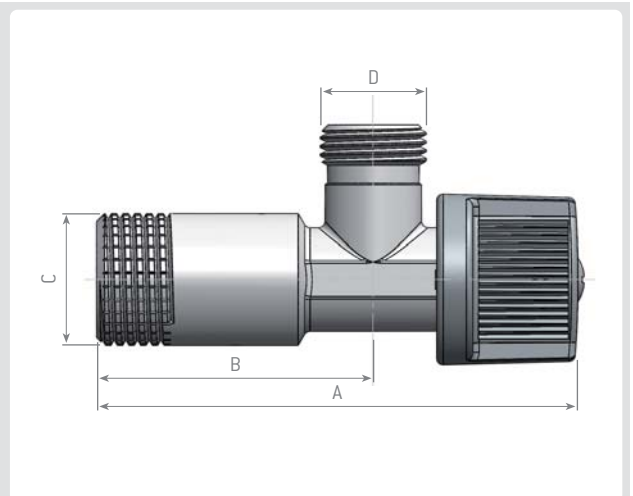


DIMENSIONS

A-80 DELTA without nut

MEASURE	A	B	C	D
1/2 x 3/8	75	43	G 1/2A	G 3/8A
1/2 x 1/2	75	43	G 1/2A	G 3/8A

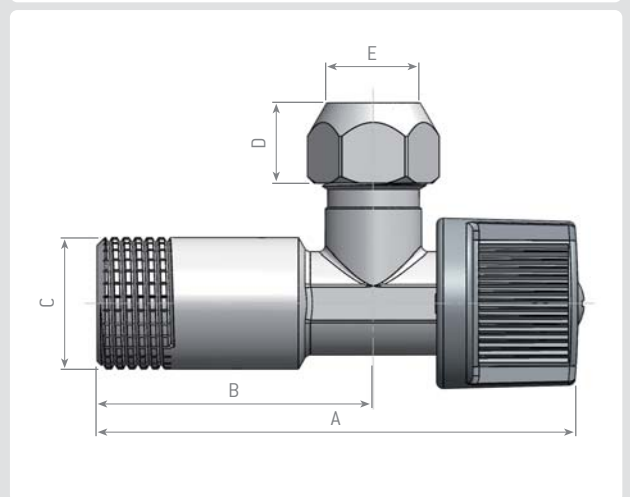
G Thread ISO 228



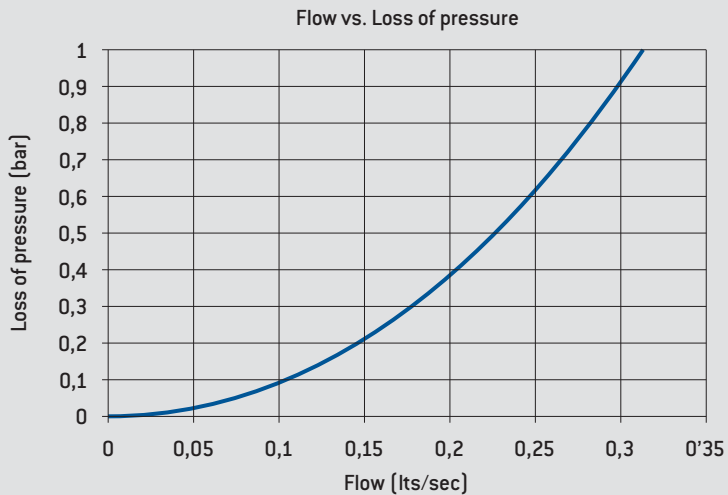
A-80 DELTA with standard nut

MEASURE	A	B	C	D	E
1/2 x 3/8 x 10	75	43	G 1/2A	12,5	10

G Thread ISO 228



HYDRAULIC CHARACTERISTICS



Hydraulic characteristics obtained according to EN 1267.

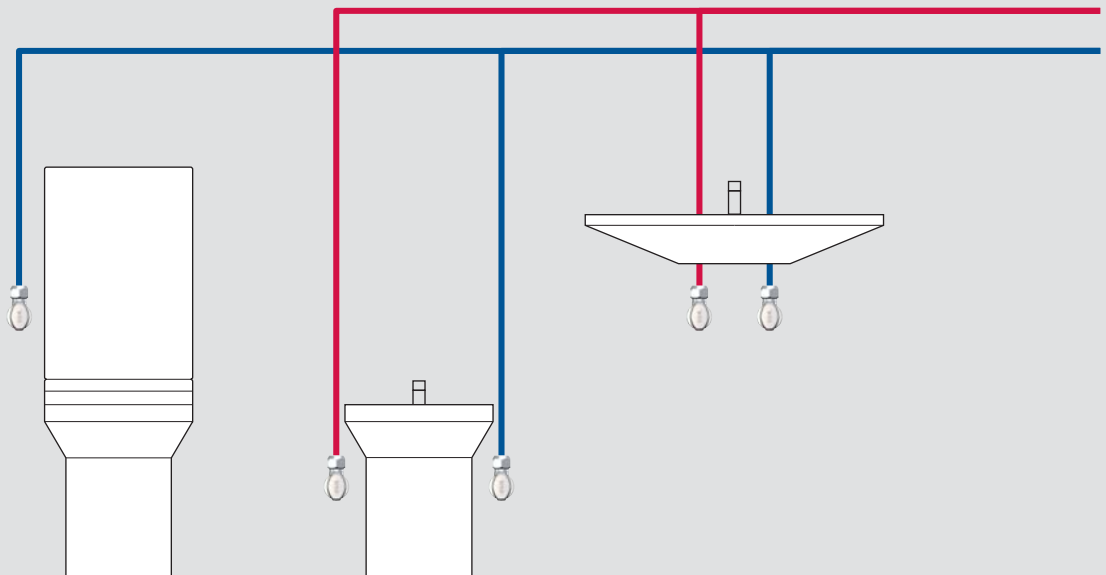
INSTALLATION AND ASSEMBLY

The installation of valves must be done with the right tool, mostly with 15 spanner.

The tool should be adjusted to the flat sides of the body of the valve, avoiding the deformation of the zone by high pressure of the tool.

Components of the valve must not be altered. The substitution or dismantling of the handle can provoke external leaks.

All quarter turn handle valves should work totally open.



Válvulas ARCO, s.l.
Avda. del Cid, 8
46134 Foios (Valencia / Spain)
www.valvulasarco.com

Engineering department:
tel. [+34] 963 171 070
tecnica@valvulasarco.es



Every product has an impact on the environment during all stages of its life-cycle, including final disposal. All components of these valves can be recycled, deposit the valve in a green or recycled point when no longer useful.

Válvulas ARCO, S.L. reserves the right to change our products and specifications at any time and without prior notice.