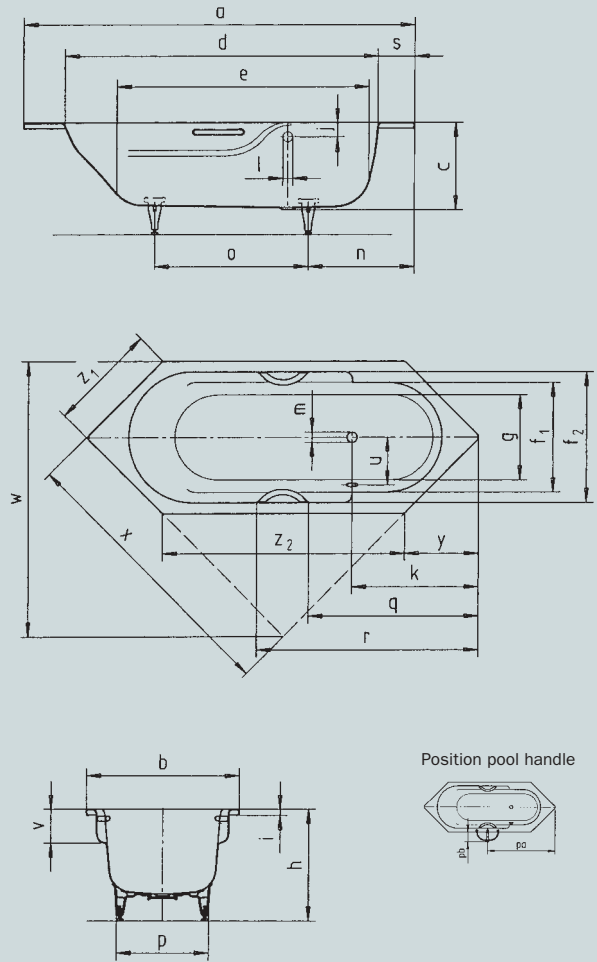


# RONDO 6

## RONDO 6 STAR

- the curvature of the interior contours provides lots of room for the upper part of the body
- wide arm rests for optimum bathing comfort
- diverse installation possibilities, also corner installation
- also available with handles



Model no.		706 / 707	716 / 717
External length	a	1970	2060 mm
External width	b	750	800 mm
Depth	c	445	445 mm
Internal length (top)	d	1560	1650 mm
<b>Internal length (bottom)</b>	<b>e</b>	<b>1250</b>	<b>1340 mm</b>
Internal width (top)	f <sub>1</sub> ; f <sub>2</sub>	530; 635	580; 690 mm
Internal width (bottom)	g	400	450 mm
Height with feet	h	576-601	576-601 mm
Height of rim	i	32	32 mm
Distance top edge to centre of overflow hole	j	75	75 mm
Distance tub edge (foot) to centre of drain hole	k	660	670 mm
Diameter of overflow hole	l	52	52 mm
Diameter of drain hole	m	52	52 mm
Distance foot end of tub edge to centre of base	n	565	575 mm
Distance between the feet	o	730	810 mm
Max. width of feet	p	440	480 mm
Distance tub edge to drilled hole in the middle	pa	1013,5	1036,5 mm
Max. overhang	pb	151	151 mm
Distance tub edge (foot end) to where handle starts (Mod. 707/717)	q	875	900 mm
Distance tub edge (foot end) to where handle ends (Mod. 707/717)	r	1148	1173 mm
Width of rim (foot end)	s	218	213 mm
Distance between centre holes	u	260	285 mm
Armrest depth	v	170	170 mm
Installation dimension	w	1370	1440 mm
Side length	x	1406	1470 mm
Fase	y	365	390 mm
Side length	z <sub>1</sub> ; z <sub>2</sub>	530; 1240	565; 1280 mm
Water volume** in litres		130	178
Anti-slip		∅ 288	∅ 435 mm
Full anti-slip		900 x 300	900 x 300 mm

Subject to technical alterations and tolerances.  
 \*\* 70 litres displacement on average.